

# VT-SR

## Spring Return Terminal Valve Actuators



### Features:

- Normally closed and normally open versions
- No tools required for mounting
- Position indicator
- Maintenance free

### Technical Overview

These spring return actuators are designed for on/off control and are used with the 2, 3-port VT-xP terminal unit valves.

The VT-SR-xx-1 normally open series and the VT-SR-xx-2 normally closed series are 2-position, 2-wire fail safe on power disruption actuators.

## Specification:

Power supply:	
VT-ST-24-x	24Vac $\pm$ 10%
VT-ST-230-x	230Vac $\pm$ 10%
Power consumption	8VA, 0.3A @ 24Vac
Control type	On/off
Stroke	4.5mm (0.18")
Speed:	
VT-SR-xx-1	20 sec. closing, 10 sec. opening
VT-SR-xx-2	20 sec. opening, 10 sec. closing
Ambient:	
Temperature	5 to 50°C (41 to 122°F)
Humidity	0 to 95% non-condensing
Protection	IP20
Country of origin	Canada

## Part Codes:

<b>VT-SR-24-1</b>	Terminal valve 24Vac on/off spring return actuator, (Normally open)
<b>VT-SR-24-2</b>	Terminal valve 24Vac on/off spring return actuator, (Normally closed)
<b>VT-SR-230-1</b>	Terminal valve 230Vac on/off spring return actuator, (Normally open)
<b>VT-SR-230-2</b>	Terminal valve 230Vac on/off spring return actuator, (Normally closed)



### *24Vac actuator versions*

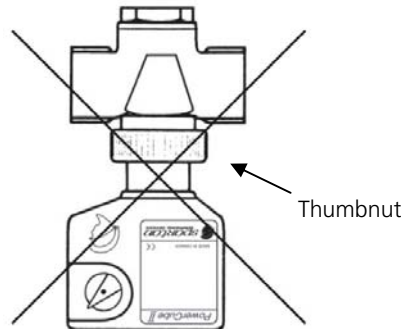
The products referred to in this data sheet meet the requirements of EU Directive 2004/108/EC

### *230Vac actuator versions*

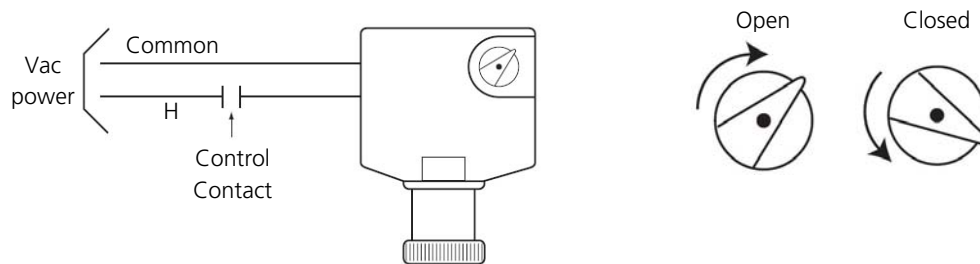
The products referred to in this data sheet meet the requirements of EU 2004/108/EC and 2006/95/EC

## Installation, Connections & Position Indicator:

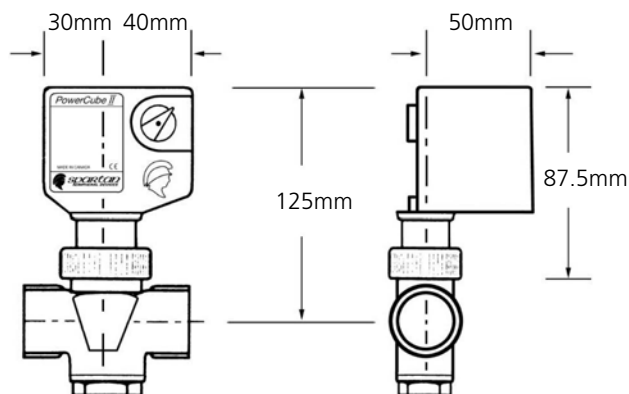
- The actuator can be installed vertically, or at any angle not exceeding the horizontal.
- The Actuator mounting thumbnut is to be hand-tightened only, using tools may result in over-tightening.



Connect the two wires (polarity is not required) to the short leads of the electric motor. Secure the connection with wire maretts and tuck them inside the motor true 7/8" hole. Snap on the wire connector, press into the opening and it will lock in place.



## Dimensions:



Whilst every effort has been made to ensure the accuracy of this specification, Sontay cannot accept responsibility for damage, injury, loss or expense from errors or omissions. In the interest of technical improvement, this specification may be altered without notice.

Tel: +44 (0) 1732 861200. - E-mail: sales@sontay.com. - Web: www.sontay.com.

© 2012 Sontay Limited. All rights reserved