

## OC-C-LV

# Flush Ceiling Mounted Occupancy Detector



### Features:

- 24Vac/dc powered
- Flush mounted
- 6 meter coverage

### Benefits:

- Low voltage loads (6(2)A @24V) can be switched directly without the need for interposing relays
- Easy adjustment of delay time

## Technical Overview

The OC-C-LV is a Passive Infra-Red detector for monitoring occupation through moving body heat.

Detection of occupancy causes the internal SPDT relay to activate and the volt free contact ensures compatibility with a vast array of equipment including BMS digital inputs. Units are also fitted with an adjustable time delay.

## Specification:

## Part Code:

Occupancy Sensor	Passive Infra-Red Detector
Field of view	360°
Coverage	6 metres (19.7ft) max.
Type	Class 2I
Off Delay Timer	10 seconds to 30 minutes
Supply Voltage	24Vac/dc
Switching Capacity	6(2)A @24V
Electrical Connections:	
Supply	+24V, 0V
Relay	Common, NO, NC
Dimensions	See page 4
Ambient	
Temperature	-10 to +40°C (14 to 104°F)
Humidity	90%RH non-condensing
Material	Flame retardant ABS, polypropylene
Protection	IP30
Country of Origin	UK

### OC-C-LV

Flush Ceiling Mounted Occupancy Detector

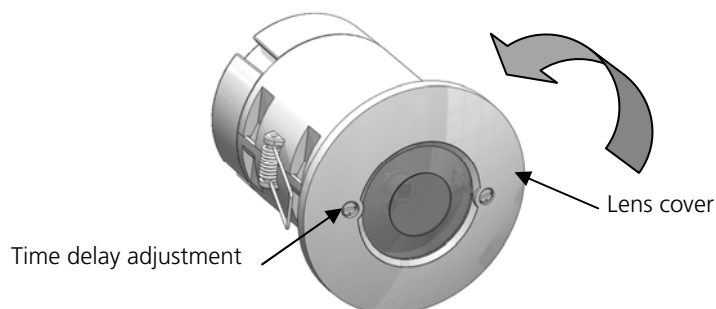


The products referred to in this data sheet meet the requirements of EU Directive 2004/108/EC

## Installation:

The detector should be sited so that the occupants of the room fall inside the detection pattern shown overleaf, at a recommended ceiling height of 2.8m. Note that the lower the sensor is installed the smaller the detection range will be, subject to the parameters shown on the diagram.

- Avoid direct sunlight entering the sensor.
  - Do not site within 1m of forced air heating or ventilation.
  - Do not site within 1m of any lighting.
  - Do not fix to a vibrating surface.
  - To switch from more than one position simply wire two or more units in parallel.
1. Ensure that the ceiling tile is of suitable material to support the weight of the unit and that there is sufficient clearance above the ceiling and cut a  $\varnothing 68\text{mm}$  hole in the ceiling tile.
  2. Remove the protective cover from the top of the detector to expose the wiring terminals.
  3. Unscrew the cable relief fitting and pass the wiring cables through the protective cover. Wire at the terminals provided as required and replace the protective cover and tighten the cable strain relief.
  4. Hold the main body and carefully press the outer ends of the spring clips in towards the body. Push the unit through the mounting hole until the front bezel is flat against the ceiling.
  5. Gently rotate the lens bezel anticlockwise to expose the concealed adjustment potentiometer. Set the time (white) to minimum (fully anticlockwise).

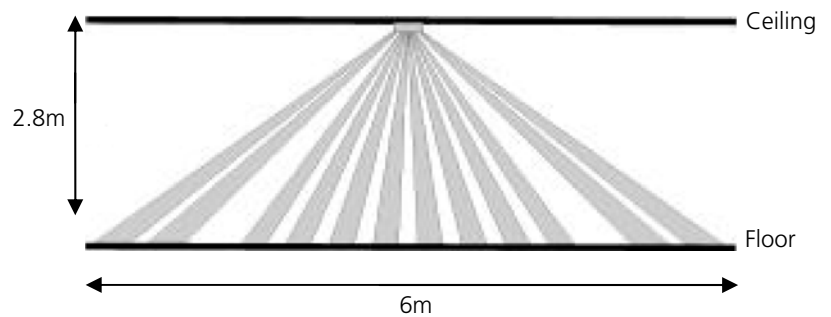
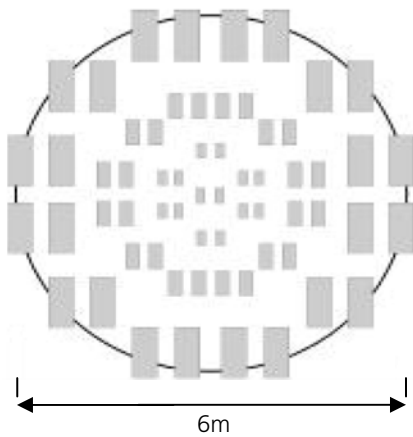
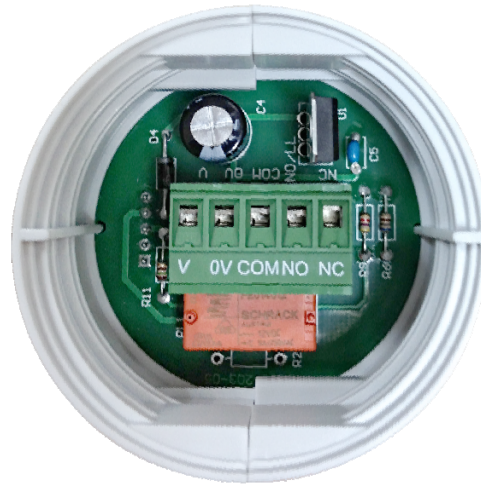


6. Care should be taken while turning the potentiometer screws so that you do not force them beyond the free range of travel.
7. Power the unit up, the load should come on immediately.
8. Vacate the room or remain very still and wait for the load to switch off.
9. Check that the load switches on when movement is detected.
10. Set the time delay required.
  - 10 seconds fully anticlockwise
  - 30 minutes fully clockwise
11. Rotate the lens bezel clockwise to conceal the adjustment potentiometer.

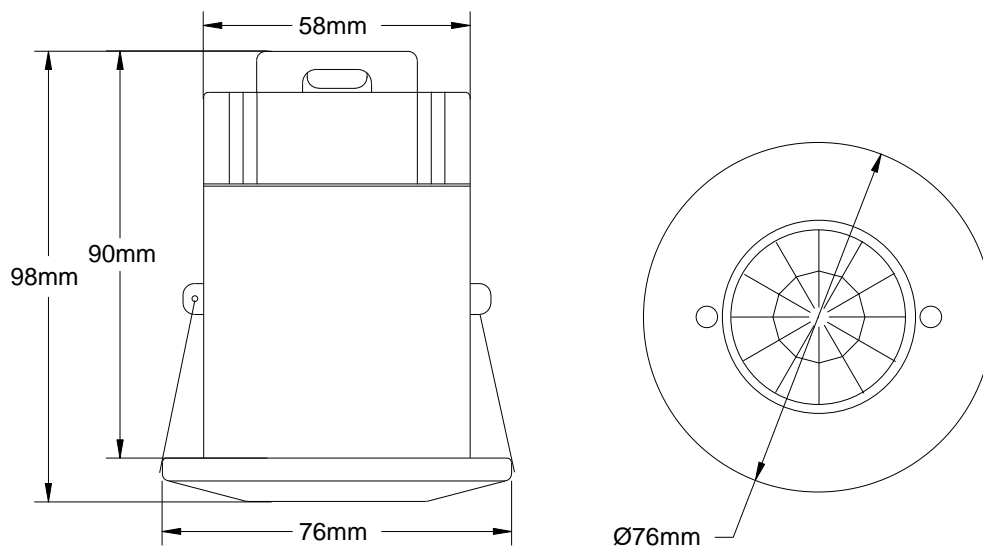
## Connections & Detector Pattern:

- V Supply voltage 24Vac/dc
- 0V Supply 0V
- COM Relay output common
- NO Relay output normally open
- NC Relay output normally closed

Detection	No occupancy	com - n/o
	Occupancy	com - n/c



## Dimensions:



Whilst every effort has been made to ensure the accuracy of this specification, Sontay cannot accept responsibility for damage, injury, loss or expense from errors or omissions. In the interest of technical improvement, this specification may be altered without notice.